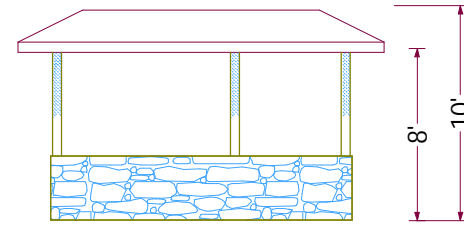
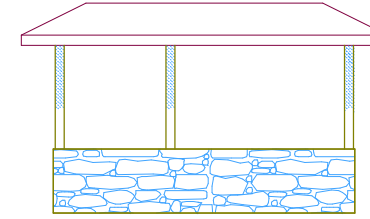


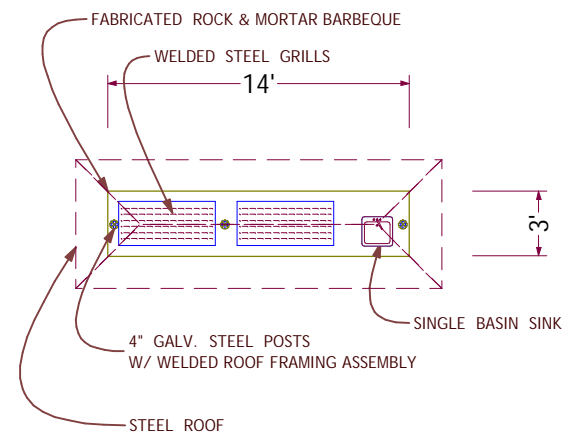
SIDES ELEVATION



FRONT ELEVATION



REAR ELEVATION



COVERED STONE BARBEQUE

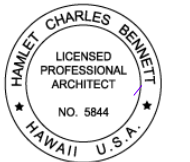
1/8" = 1'0"



HALE HAWAII DESIGN  
architecture - planning - development



Box 5044 Honokaa  
Hawaii 96727



This work was prepared by me or under my supervision. Construction of this project will be under my observation.

Signature

Camp Mekekiko  
Covered Barbeque

Owner: Hawaii United  
Methodist Union

Contact #: 775 7130

Last Rev: March 1, 2006

Drawn By: McB